

ASSEMBLY INSTRUCTIONS
COASTER FINE FURNITURE



Fine Furniture for every stage of life

701980
TV CONSOLE

ITEM: 701980



ASSEMBLY INSTRUCTIONS

ASSEMBLY TIPS:

1. Remove hardware from box and sort by size.
2. Please check to see that all hardware and parts are present prior to start of assembly.
3. Please follow attached instructions in the same sequence as numbered to assure fast & easy assembly.



WARNING!

1. Don't attempt to repair or modify parts that are broken or defective. Please contact the store immediately.
2. This product is for home use only and not intended for commercial establishments.



ASSEMBLY TIME

60 MINUTES

MAX TV SIZE : 65"

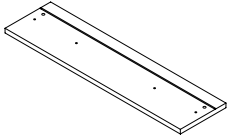
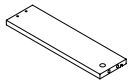
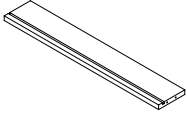
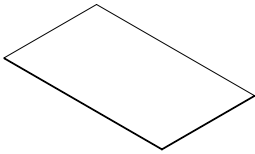
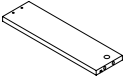
PARTS IDENTIFICATION

A	LEFT SIDE PANEL		1 PC	I	CROSS PANEL		1 PC
B	LEFT CROSS BRACE		1 PC	J	TOP PANEL		1 PC
C	LONG CROSS BRACE		1 PC	K	LOWER CROSS BRACE		1 PC
D	LEFT DIVIDER PANEL		1 PC	L	LOWER LEFT DIVIDER PANEL		1 PC
E	RIGHT SIDE PANEL		1 PC	M	LOWER MIDDLE DIVIDER PANEL		1 PC
F	RIGHT CROSS BRACE		1 PC	N	LOWER RIGHT DIVIDER PANEL		1 PC
G	RIGHT DIVIDER PANEL		1 PC	O	UPPER BACK PANEL		1 PC
H	BOTTOM PANEL		1 PC	P	LOWER BACK PANEL		1 PC

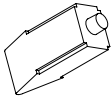

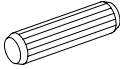

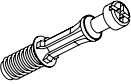






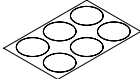
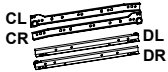

NOTE:

Phillips head screw driver is required in the assembly process; however, manufacturer does not provide this item.

ITEM: 701980

Q	DRAWER FRONT PANEL		2 PCS	T	RIGHT DRAWER SIDE PANEL		2 PCS
R	DRAWER BACK PANEL		2 PCS	U	DRAWER BOTTOM PANEL		2 PCS
S	LEFT DRAWER SIDE PANEL		2 PCS				

HARDWARE IDENTIFICATION

Z	DESCRIPTION	FIGURE	Q'TY		DESCRIPTION	FIGURE	Q'TY
1	GLUE 40g		1 PC	8	SHORT SCREW Ø3x10mm SR		24 PCS
2	WOODEN DOWEL Ø8x30mm		49 PCS	9	PLASTIC FEET Ø15mm		5 PCS
3	CAM BOLT Ø7x35.5mm SR		27 PCS	10	HANDLE BLK		2 PCS
4	CAM LOCK Ø15x12mm SR		27 PCS	11	HANDLE BOLT M5x25mm BLK		4 PCS
5	LONG SCREW Ø4.5x42mm SR		8 PCS	12	ALLEN WRENCH Ø4x28mm RBW		8 PCS
6	SCREW Ø4.3x35mm SR		8 PCS	13	STICKER Ø20mm		5 PCS
7	RAIL L = 350mm BLK		2 SET	14	NUT M5		4 PCS





Z7,Z10,Z11,Z14 not included in blister packaging.

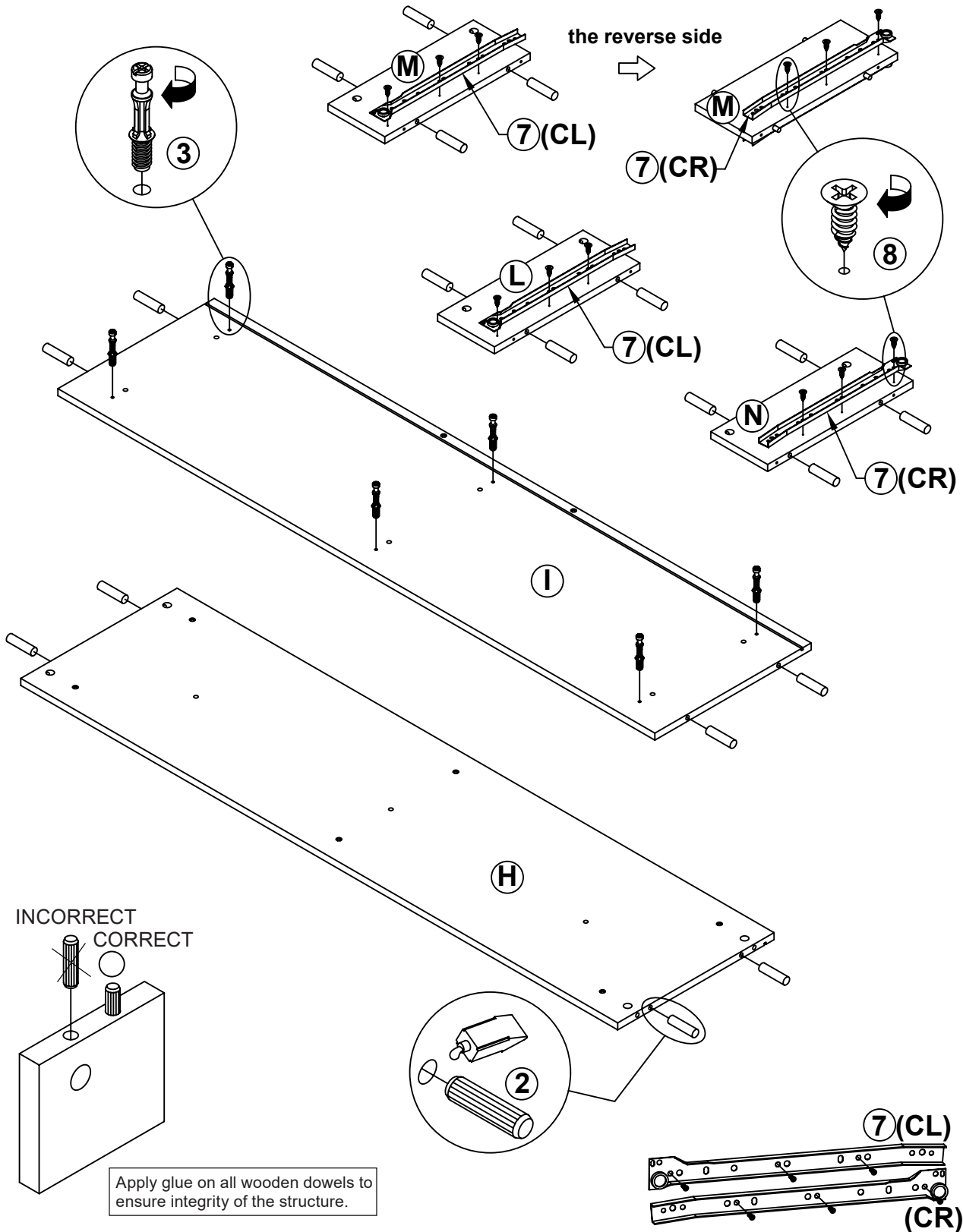
NOTE:

Phillips head screw driver is required in the assembly process; however, manufacturer does not provide this item.

ITEM: 701980

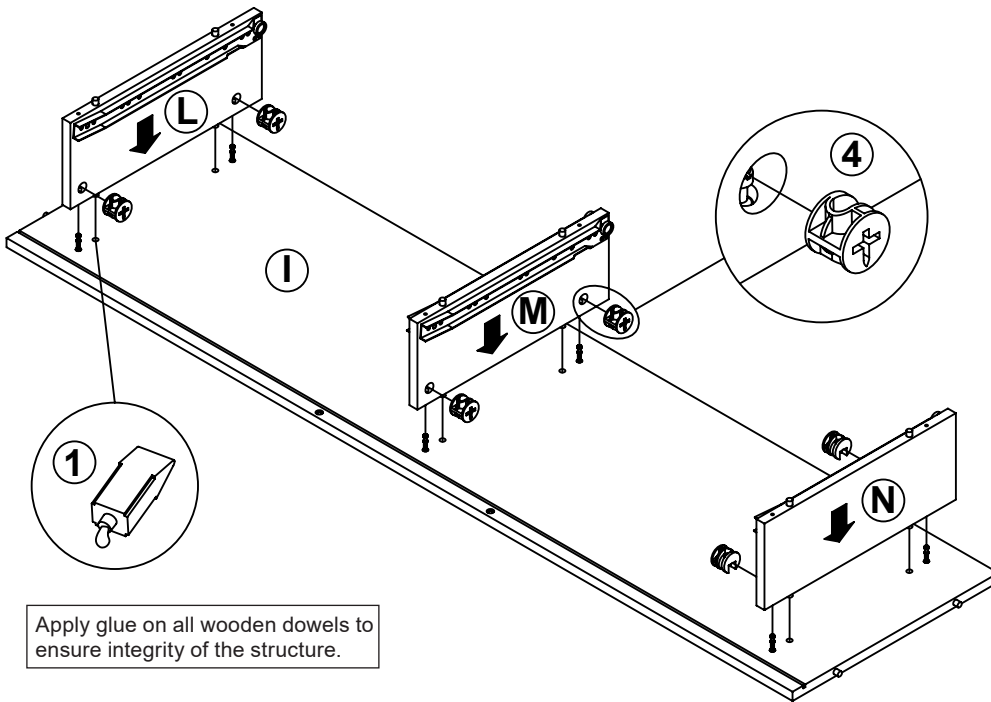
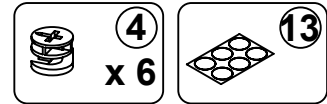
STEP 1

- | | |
|--|--|
|  2
x 20 |  3
x 6 |
|  7 x 2
CL
CR |  8
x 12 |

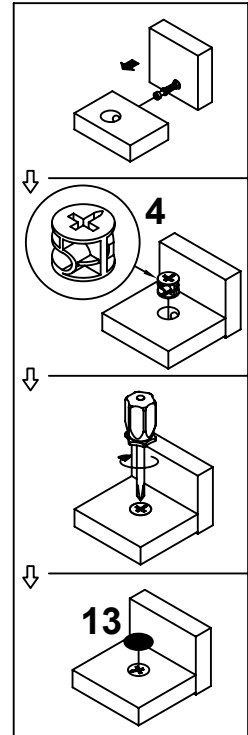


ITEM: 701980

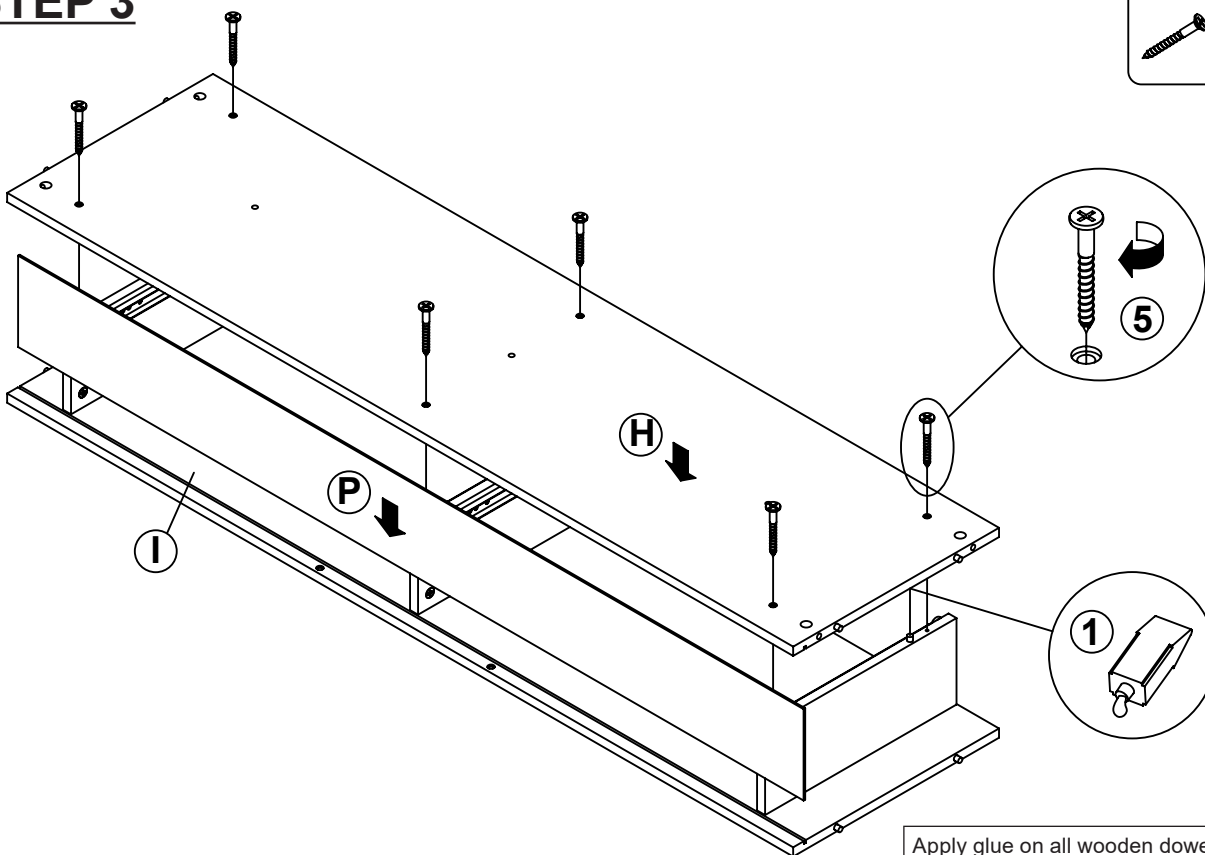
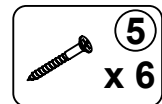
STEP 2



Apply glue on all wooden dowels to ensure integrity of the structure.



STEP 3

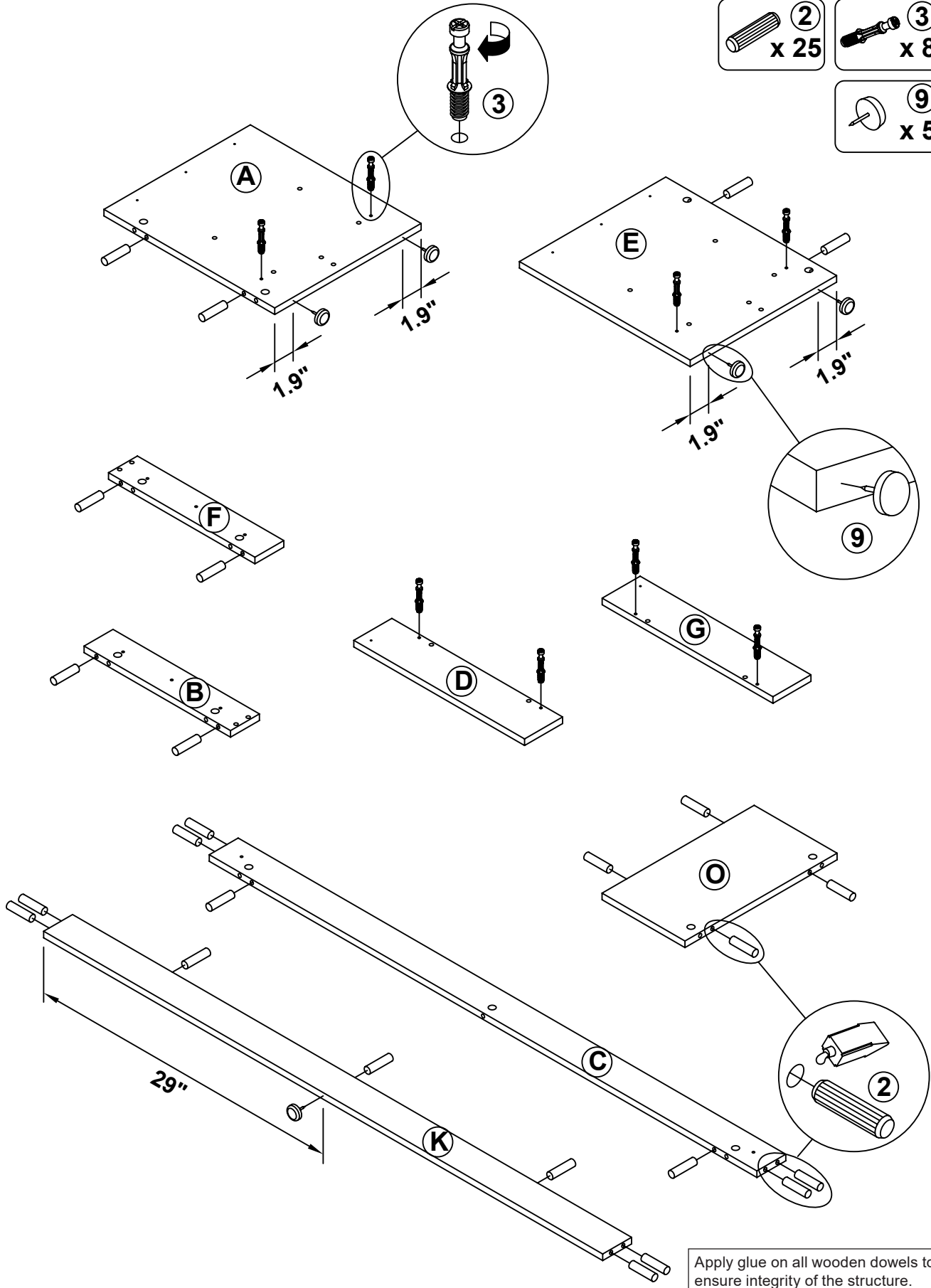


Apply glue on all wooden dowels to ensure integrity of the structure.

ITEM: 701980

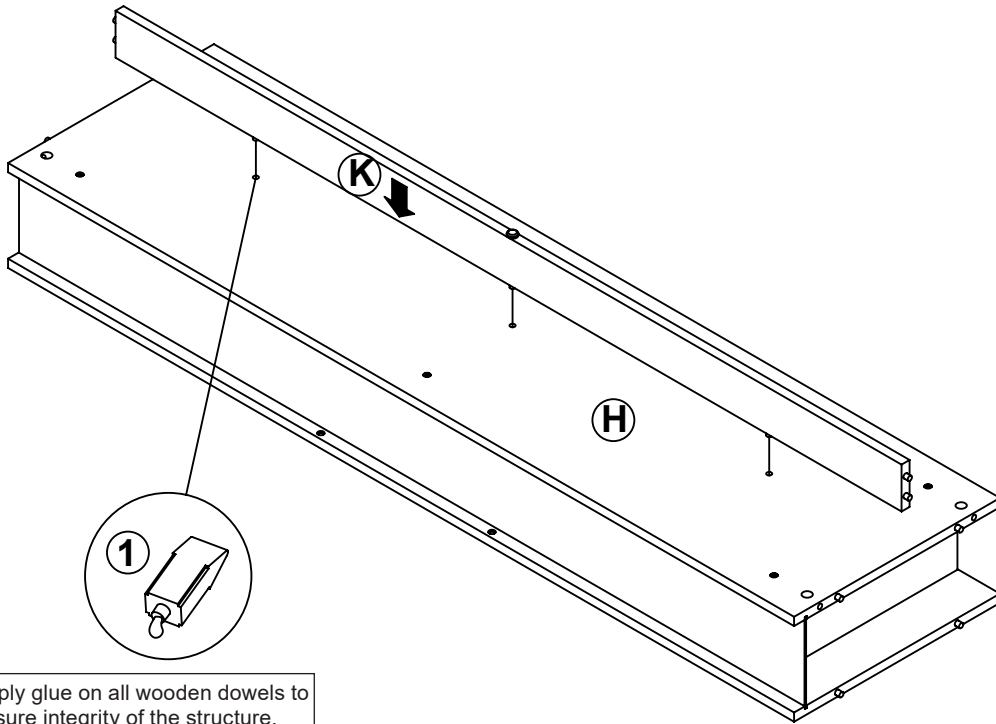
STEP 4

- 2 x 25
- 3 x 8
- 9 x 5

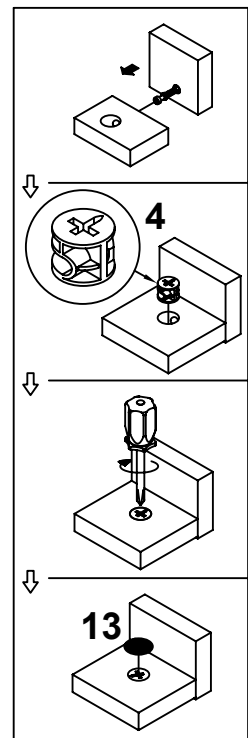
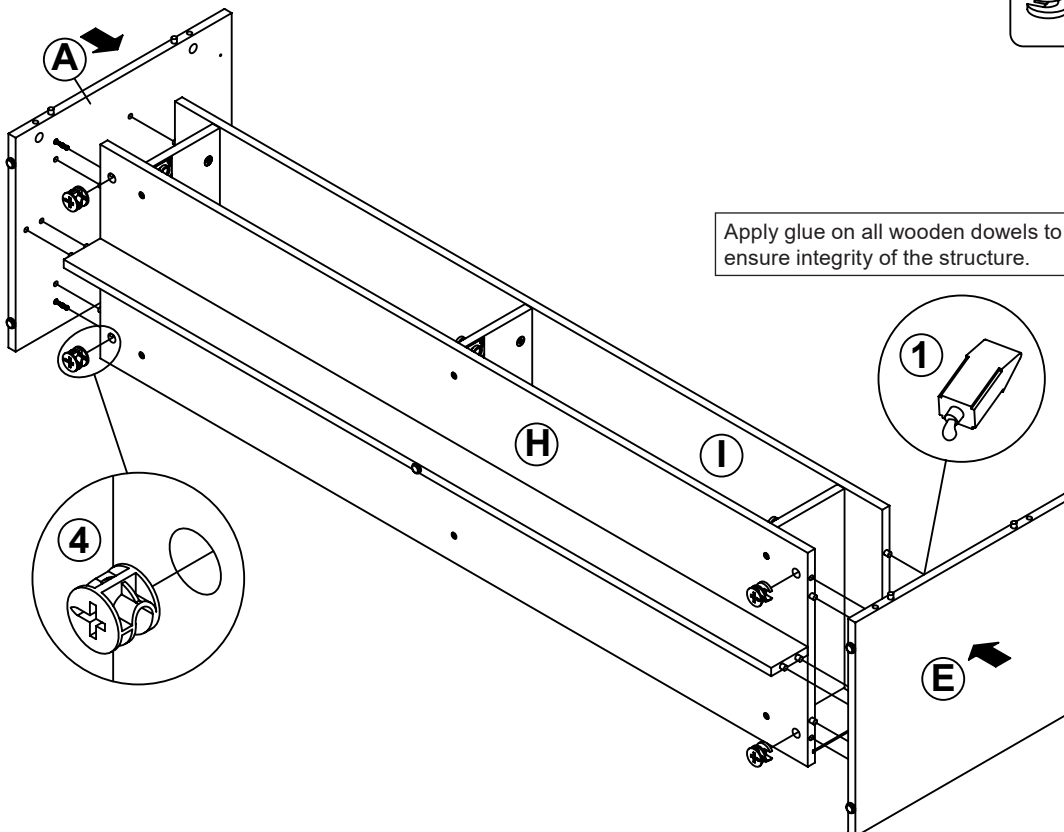
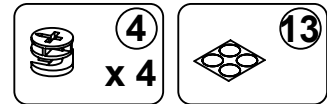


ITEM: 701980

STEP 5

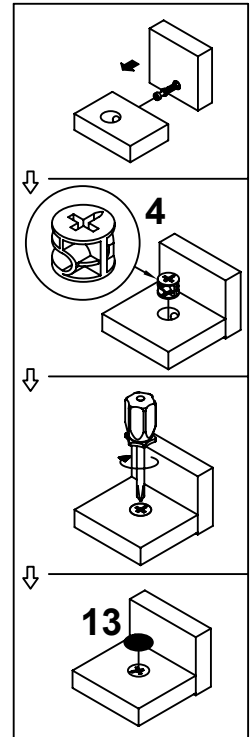
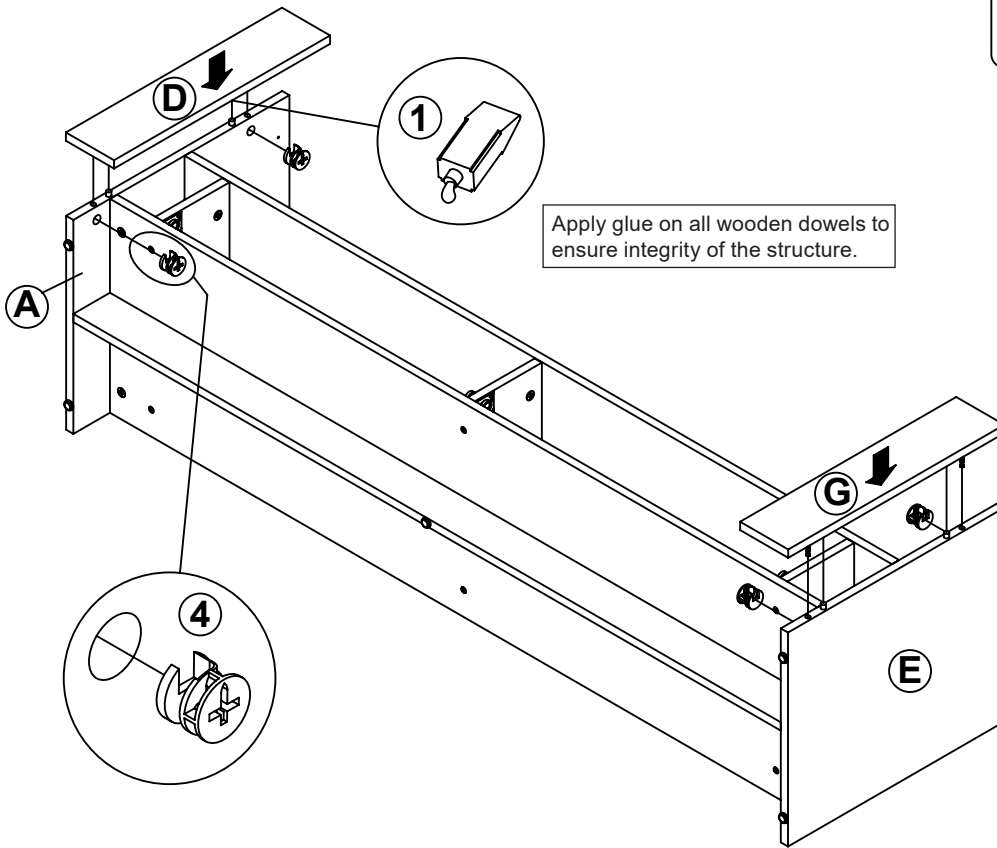
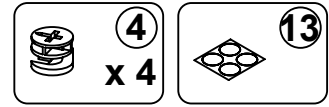


STEP 6

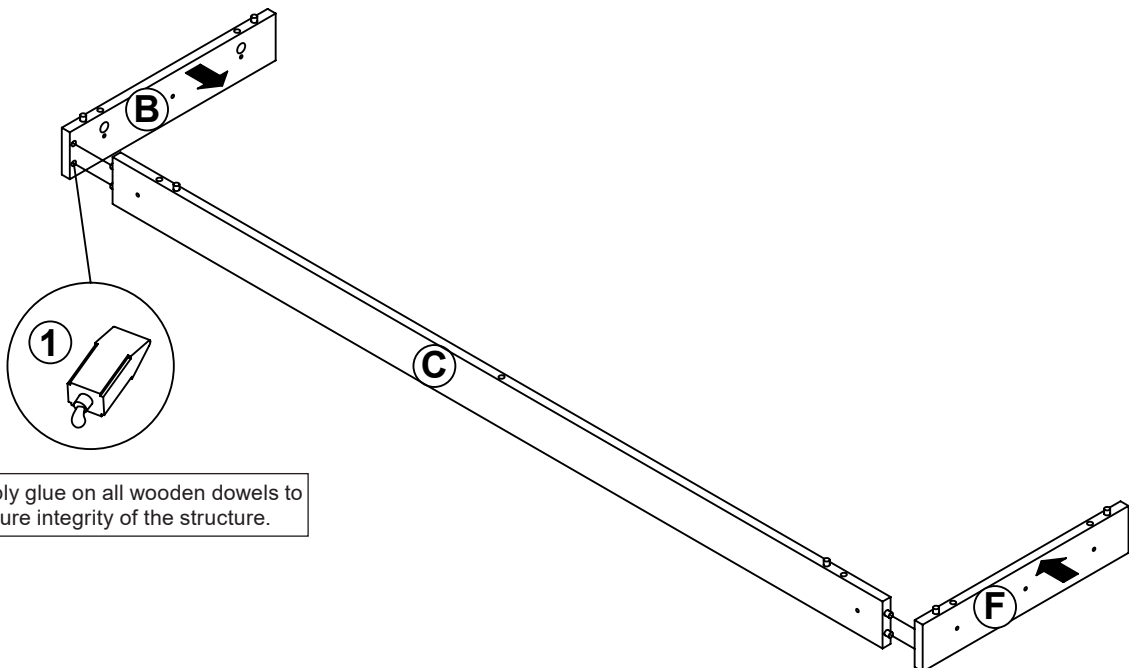


ITEM: 701980

STEP 7

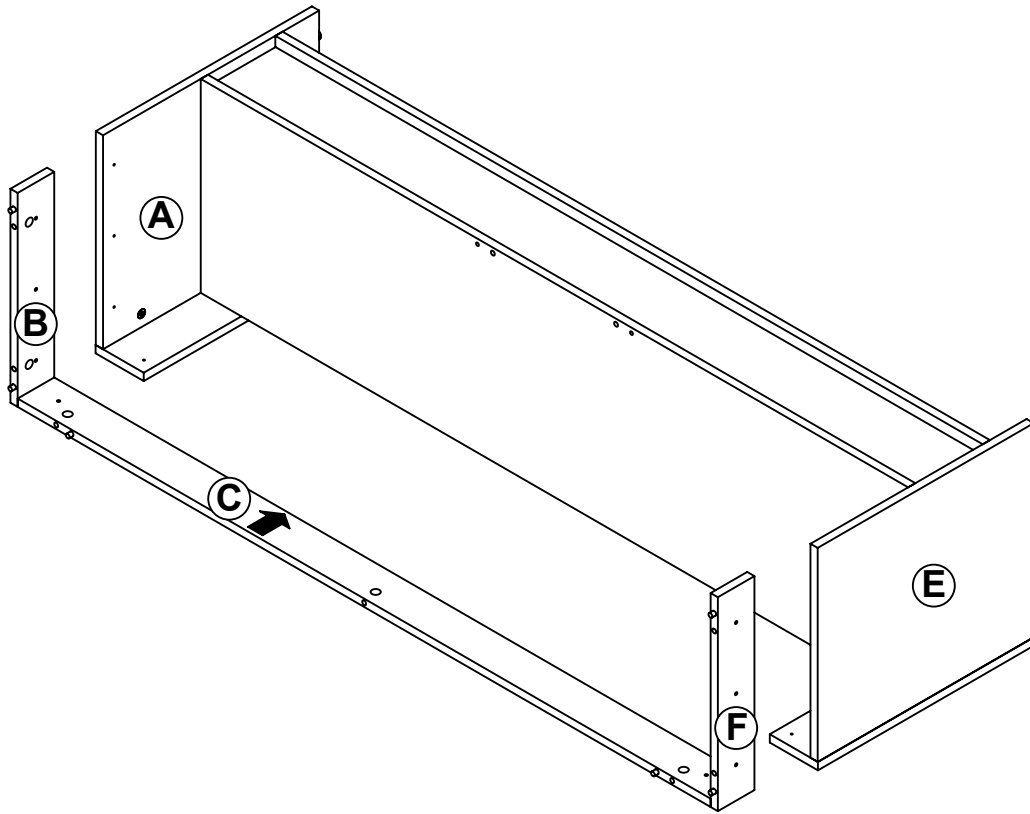


STEP 8

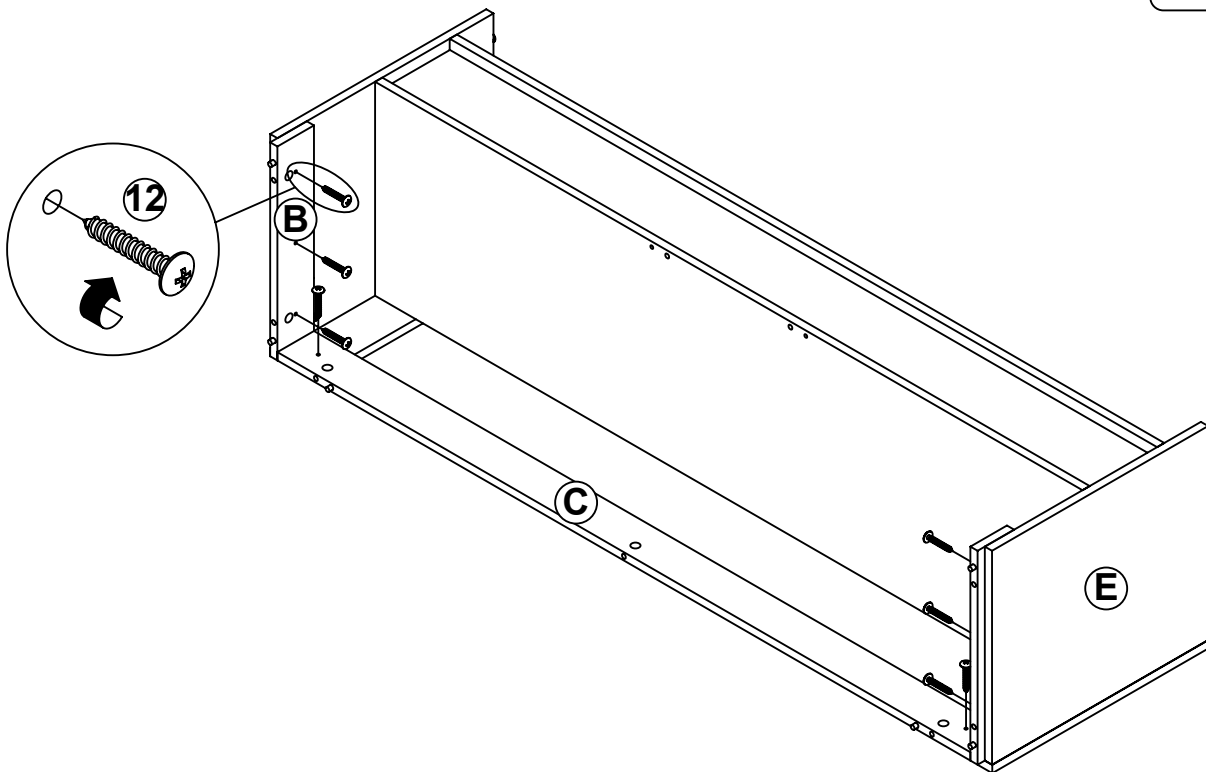
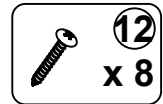


ITEM: 701980

STEP 9

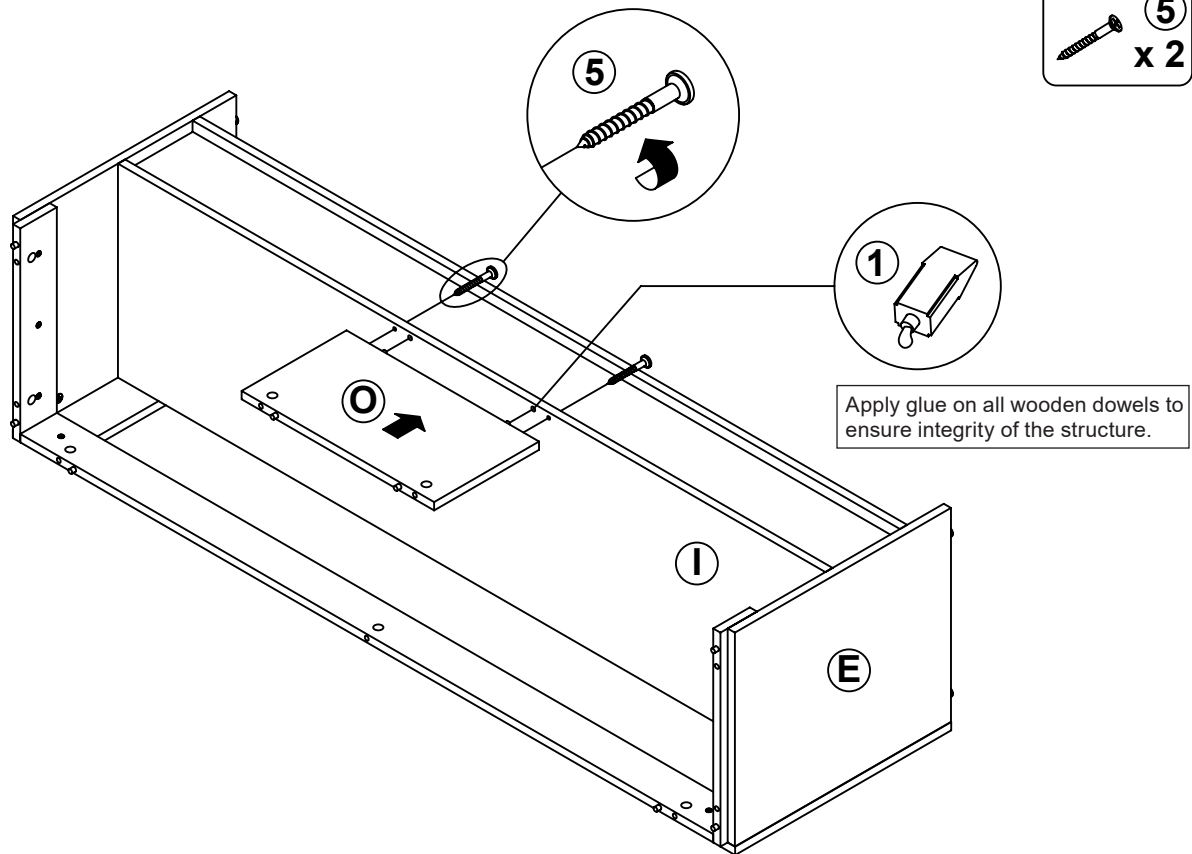


STEP 10

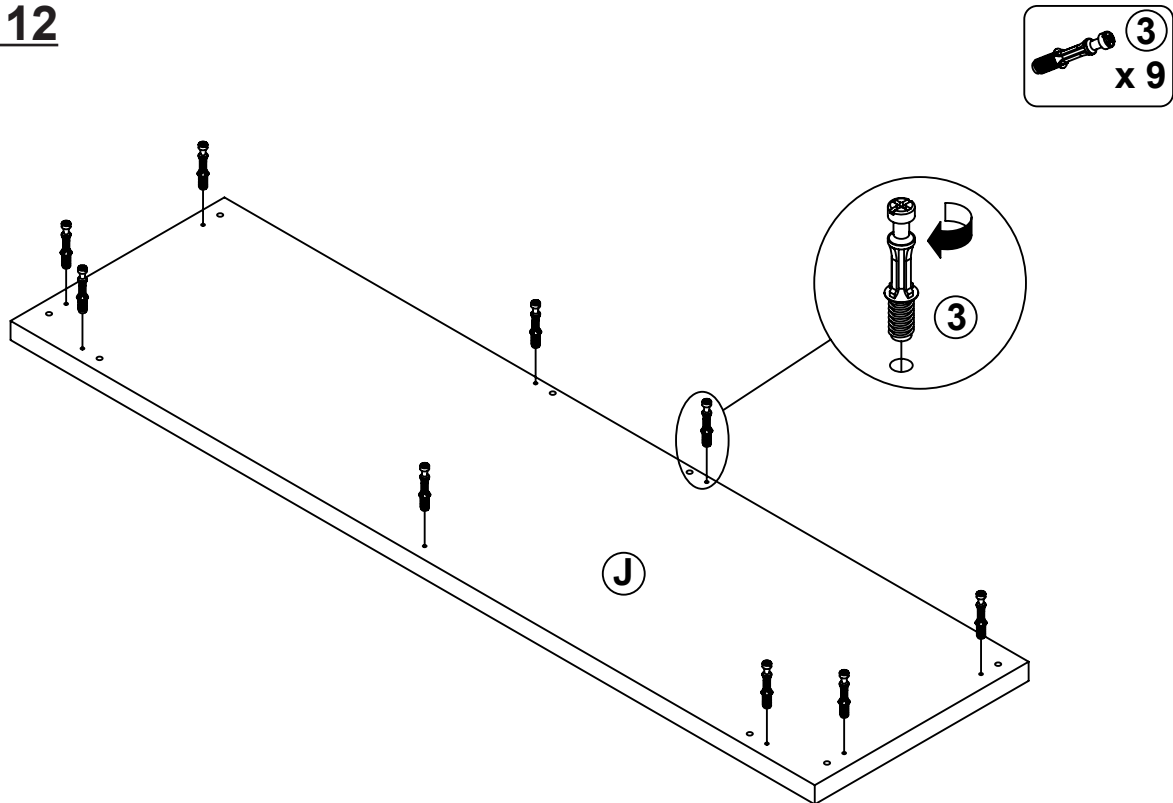


ITEM: 701980

STEP 11

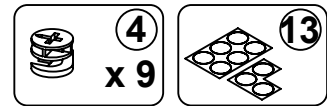


STEP 12

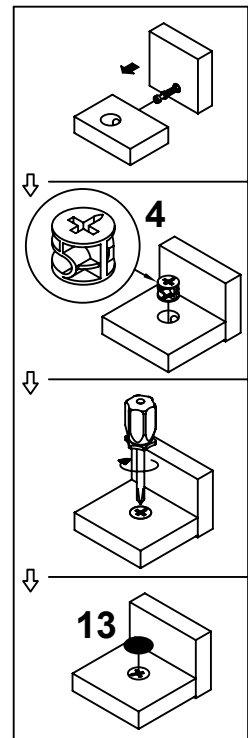
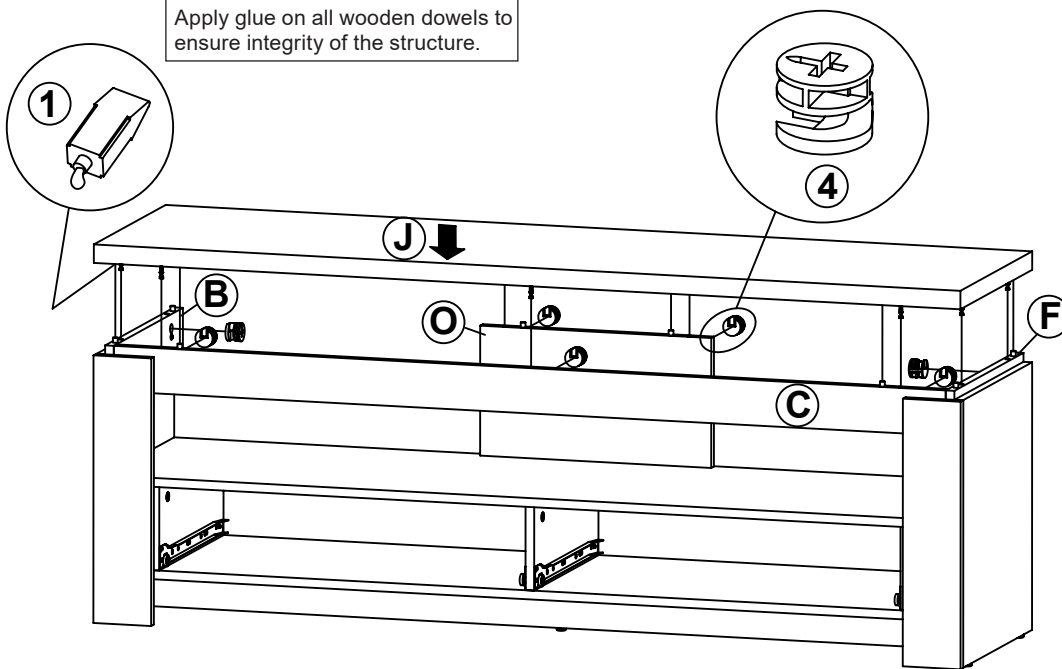


ITEM: 701980

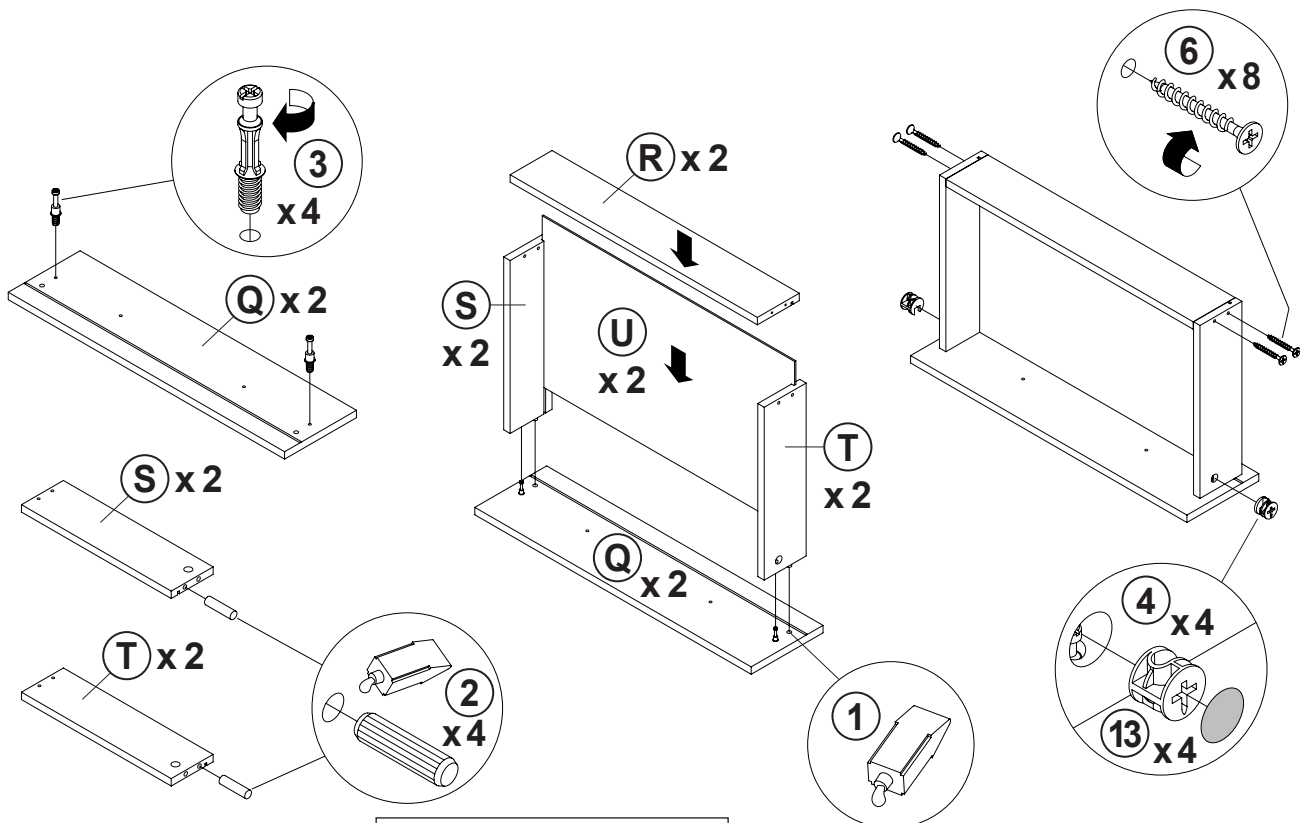
STEP 13



Apply glue on all wooden dowels to ensure integrity of the structure.



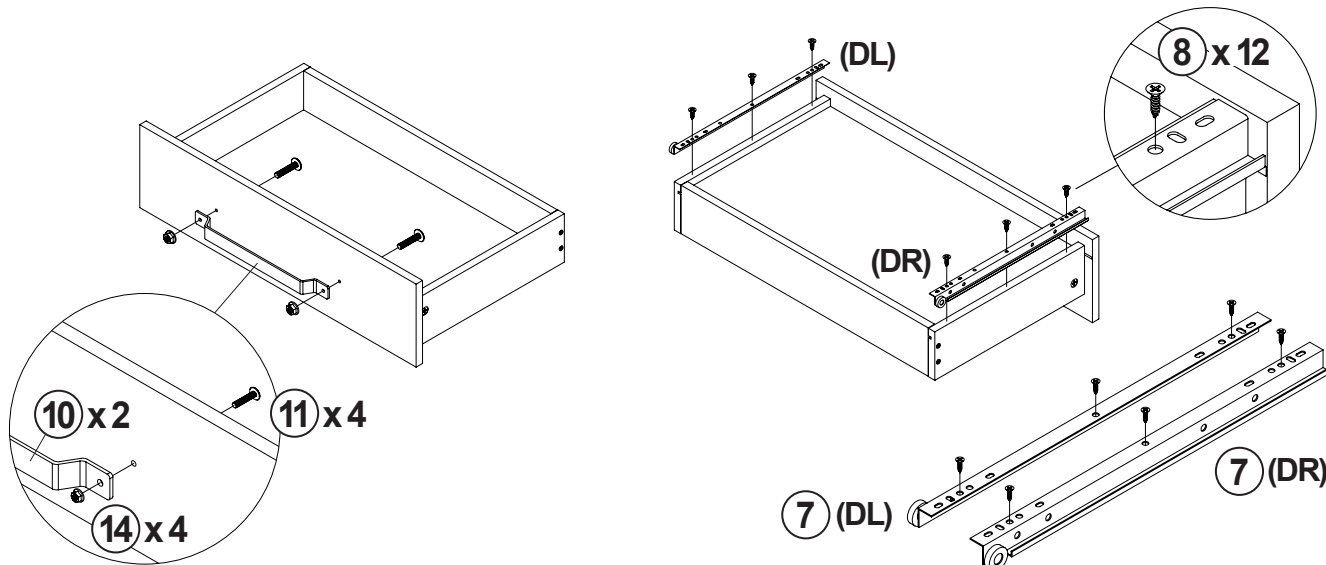
STEP 14



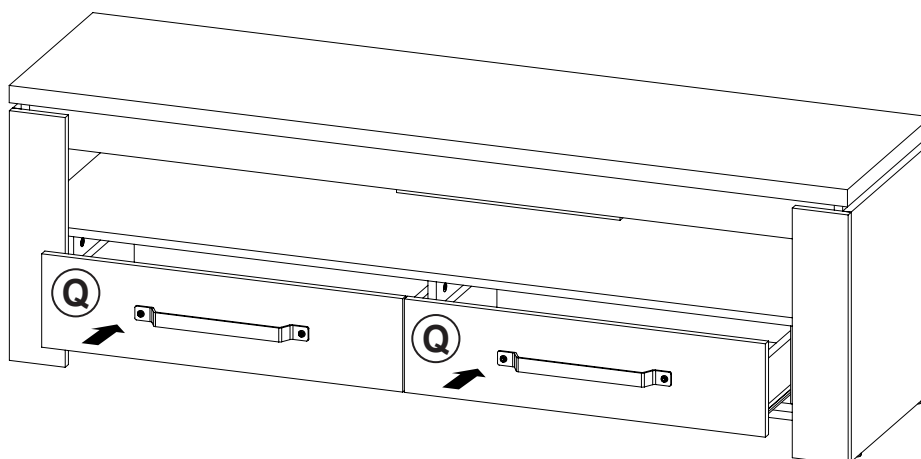
Apply glue on all wooden dowels to ensure integrity of the structure.

ITEM: 701980

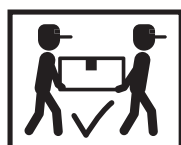
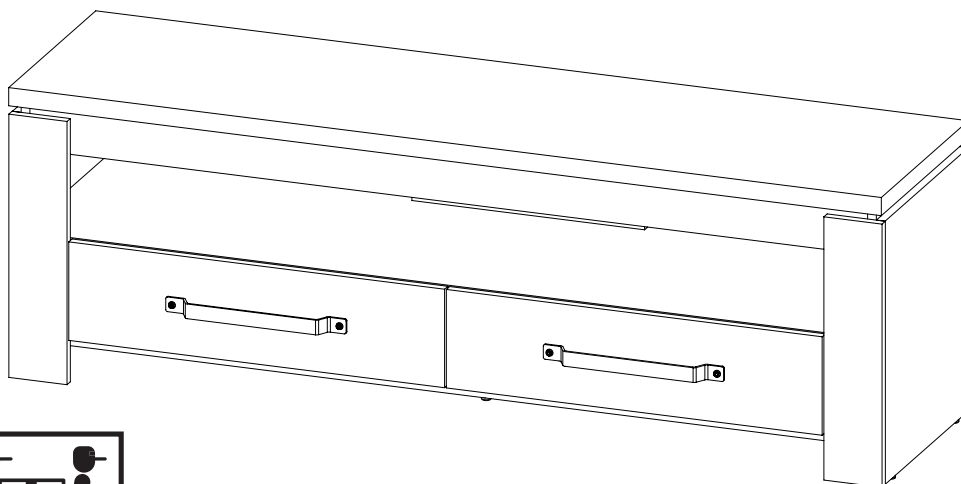
STEP 15



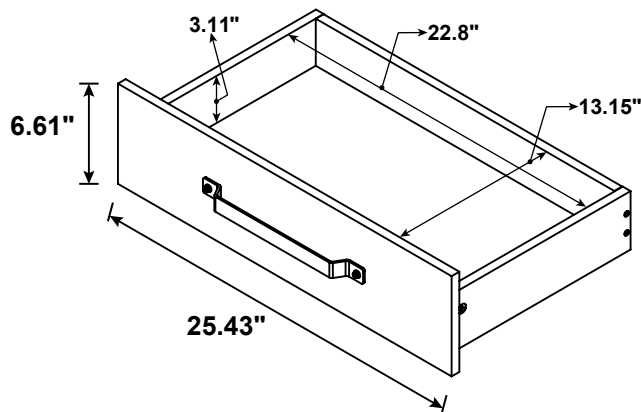
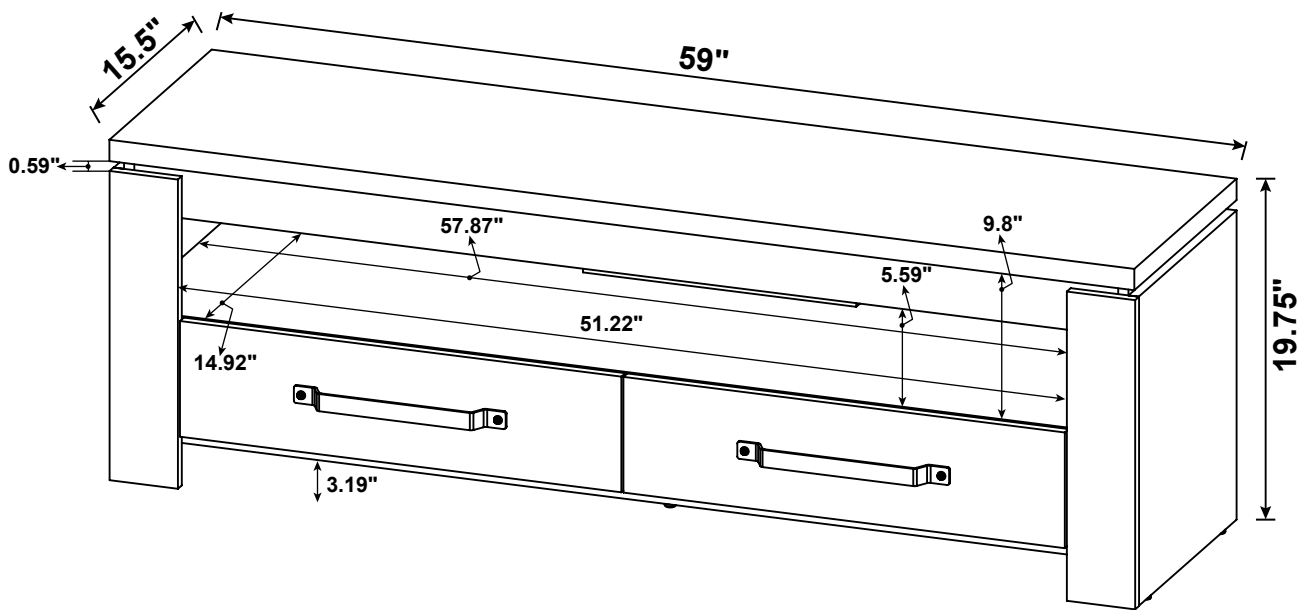
STEP 16



STEP 17
COMPLETE



ITEM: 701980



Note : Dimension tolerance $\pm 5\%$